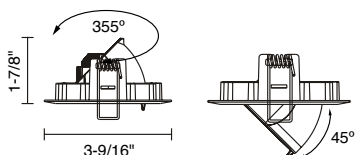


LEDRA

LEDRA G3



TECHNICAL SPECIFICATIONS

350mA DC constant current input
3.6W for 1 (3 x 1.2 Watt) LED
Class II rated
Lumens:
4000K = 196lm
3000K = 182lm
CRI: >80

Suitable for dry locations only
3-1/8" hole cutout required
1/8" to 1" mounting surface thickness
Dimmable (with dimming driver)

PART NUMBERS

138 080mc matte chrome, white LED
138 080wh white, white LED
138 080-lmc matte chrome, warm white LED
138 080-lwh white, warm white LED

IMPORTANT SAFETY INSTRUCTIONS

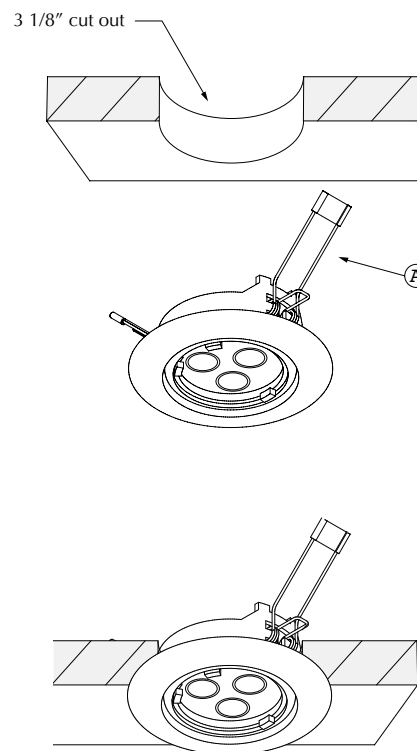
1. READ AND FOLLOW THESE WARNINGS AND INSTRUCTIONS BEFORE INSTALLING OR MAINTAINING THIS PRODUCT.
2. TURN OFF POWER PRIOR TO ANY WORK ON THE SYSTEM OR PRODUCT.
3. DO NOT INSTALL THIS PRODUCT IN DAMP OR WET LOCATIONS.
4. THIS PRODUCT MUST BE INSTALLED BY A PERSON FAMILIAR WITH THE CONSTRUCTION AND OPERATION OF THE PRODUCT AND THE HAZARDS INVOLVED, IN ACCORDANCE WITH THE APPLICABLE LOCAL AND NEC CODE.
5. Warranty is void in case of unauthorized modifications and/ or improper use.
6. Save these instructions and refer to them when additions to changes or services to the fixture or system are made.



SAVE THESE INSTRUCTIONS



INSTALLATION INSTRUCTIONS



INSTRUCTIONS FOR INSTALLATION

- WARNING: Not following these instructions will result in damage to the LED fixture(s) and/or LED Driver, and is not covered under warranty.
- Do not connect LED fixture(s) to driver while it is energized. Leave power off.
- When connecting more than one LED fixture, they must be connected in series wiring.

Step 1. Drill a 3 1/8" hole into the mounting surface.

Step 2. Squeeze spring anchors (A) and insert the fixture into the cutout. The spring will release, pulling the fixture flush with the ceiling.

Step 3. Refer to the compatible 350mA Driver instructions for wiring, number of fixtures per Driver, and additional requirements.

